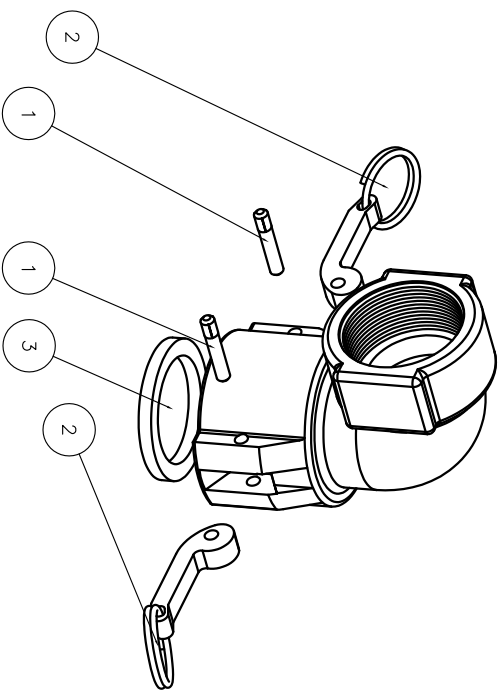
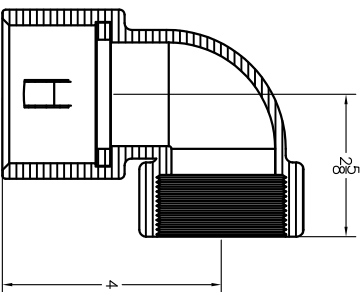
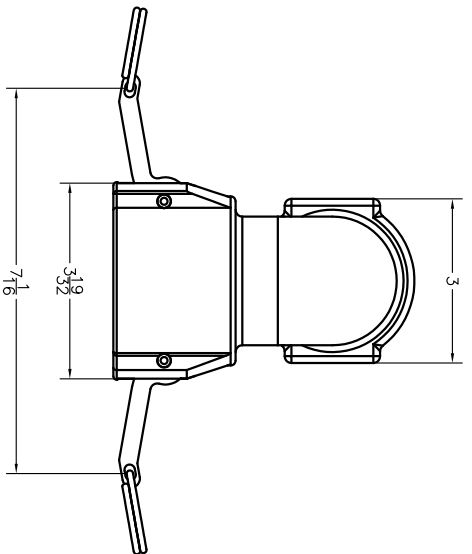
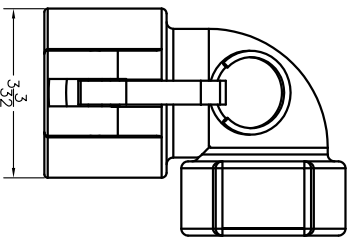
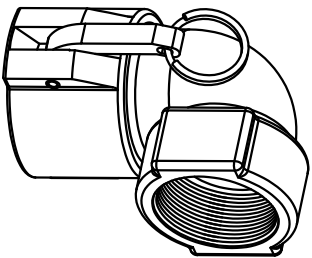


Parts List

ITEM	QTY	PART NO.	DESCRIPTION
1	2	200P	RETAINING PIN
2	2	150(200)K	CAM ARM
3	1	200G	GASKET
4	1	150(200)D	DECAL (N/S)
5	1	200XMD90	2" F-CPLG X 2" FNPT BODY



THIS DRAWING AND ALL INFORMATION CONTAINED HEREIN ARE THE EXCLUSIVE PROPERTY OF BANUO CORPORATION. NO PARTS, MATERIALS, OR SERVICES ARE TO BE USED IN THE REPRODUCTION OF THIS DRAWING WITHOUT THE WRITTEN PERMISSION OF BANUO CORPORATION.

BANUO
 LIQUID HANDLING PRODUCTS
 BANUO CORPORATION
 150 BANUO DR. • GAITHERSBURG, MD 20878
 PART NO. 200D90
 TITLE 2" FEMALE COUPLING X 90° FEMALE NPT